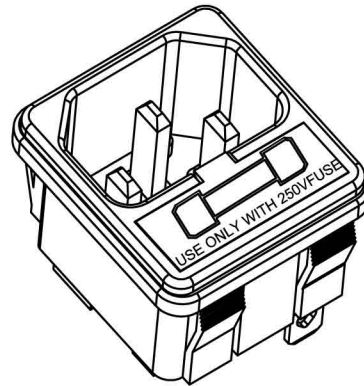
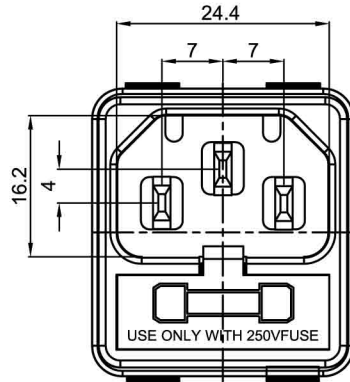


S-03F



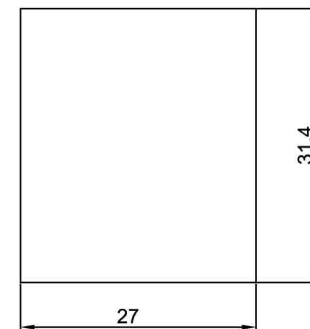
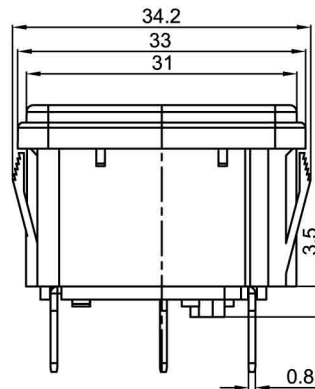
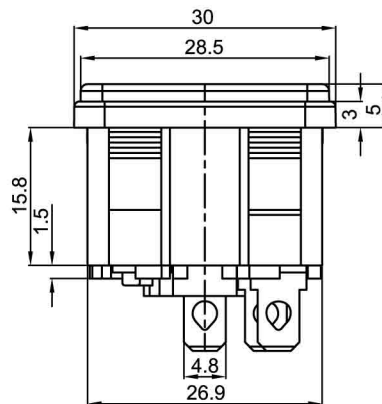
Rating: 10 A 250VAC(UL CUL)
 6.3A 250VAC(VDE)
 10 A 250VAC(CCC)

Insulation Resistance:DC 500V 100MΩ Min

Dielectric Strength:AC 2000V1minute

Fuse:Ø5.0x20mm 

Welding method:Manual Soldering
 (350° C±5° C,3s±0.5s)



S-03F-12
 01.112.0031